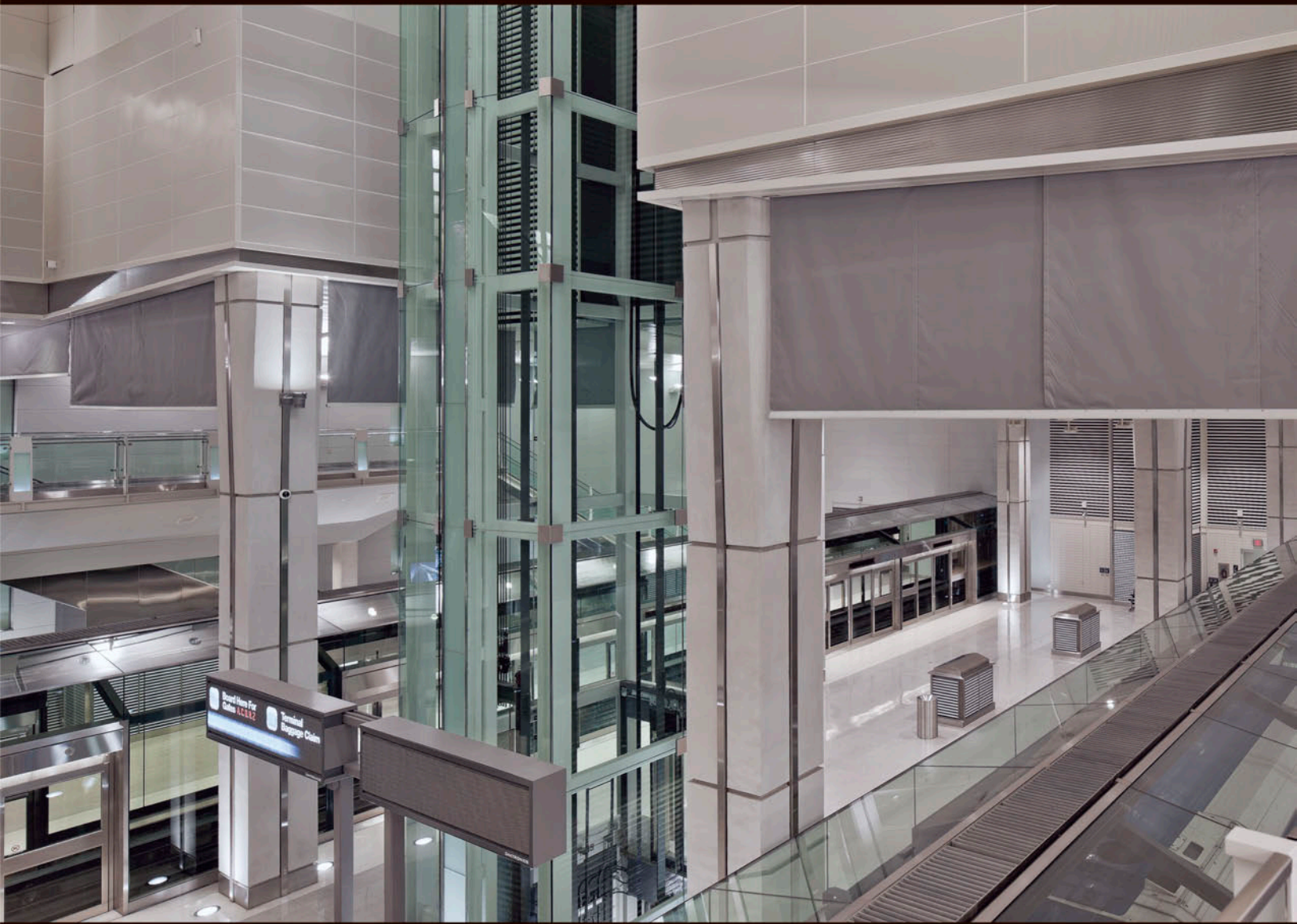


McKeon Door Company introduces an innovative new line of fabric fire and smoke rated curtains.

# FireFighter™

“The First Responder”



McKeon Door Company • Bellport, NY • 800-266-9392 • [mckeondoor.com](http://mckeondoor.com)

## The McKeon FireFighter™ D100 Draft Curtain.

The McKeon FireFighter D100 is manufactured from fabric that has been tested and certified for 3-hour fire and 20-minute smoke and draft ratings; and approved to span unlimited widths and heights up to 24 feet. The test criteria included side guides. However, the design parameters for draft curtains do not require side guides or any of the above certifications except to resist the passage of smoke. Thus, the McKeon D100 exceeds the fire and life safety requirements for draft curtains in the building code.



A draft curtain is commonly used in large spaces where smoke management is a challenge such as this application of the FireFighter D100 at Dulles International Airport in Washington, DC. Because of successful US Standards testing, McKeon Door Company can offer an uncommon solution by providing unlimited widths from any drop height.

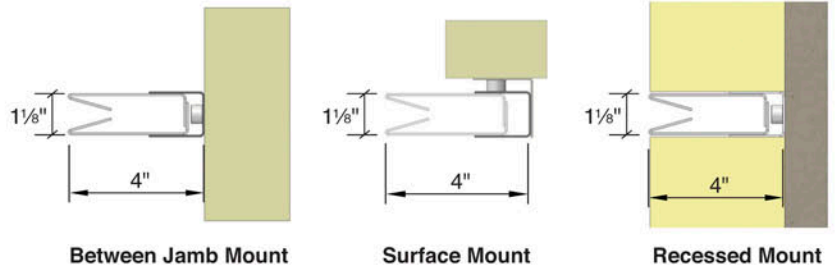
In this type of application draft curtains typically work in conjunction with smoke and heat vents. These vent systems are not the same as active smoke evacuation systems, rather they are designed to minimize smoke movement and provide temporary tenable environments until building occupants can evacuate during a fire or emergency. Draft curtains are a critical part of the compartmentalization effort because they prevent the migration of smoke and help to channel it towards vents that are a passive system for smoke management.

# The McKeon FireFighter™ D200 Opening Protective.

**Tested and proven to US standards and codes.**



McKeon Door Company introduces an opening protective made of a flexible fire-rated fabric that is US laboratory tested and approved for unlimited widths. A first in the industry, the D200 carries a UL 10B rating for 20 minutes, UL 10D for 3 hours and UL 1784. FireFighter D200 is approved for use in multiple applications – whenever the 20-minute UL 10B rating is required for fire door and shutters used to provide protection for an opening of any size in a rated wall.



The FireFighter Model D200 is mounted as a vertical rolling assembly with fixed pressure side guides to ensure against movement or blowout during extreme pressures caused by fire conditions. These pressure guides, combined with a specially designed bottom bar, make this fire-rated fabric assembly a critical component of a building's passive redundant fire and life safety system.

| Model        | Type               | Fire Ratings   | Smoke Ratings  | Egress           | Pressure Guides | Self-Closing/ Auto-Set® | Maximum Curtain Width  | Maximum Curtain Height |
|--------------|--------------------|--|--|------------------|-----------------|-------------------------|------------------------|------------------------|
| <b>D100</b>  | Draft Curtain      | Approved materials in compliance w/IBC Section 910.3.5.1 | Approved materials in compliance w/IBC Section 910.3.5.1 | N/A              | Not Required    | Yes                     | Unlimited <sup>1</sup> | 24 Feet                |
| <b>D200</b>  | Opening Protective | 20-minute UL 10B<br>3-hour UL 10D                        | Smoke & Draft<br>UL 1784                                 | N/A              | Required        | Yes                     | Unlimited <sup>1</sup> | 24 Feet                |
| <b>D200E</b> | Opening Protective | 20-minute UL 10B<br>90-minute UL 10D                     | Smoke & Draft<br>UL 1784                                 | Yes <sup>3</sup> | Required        | Yes                     | 60 Feet <sup>2</sup>   | 24 Feet                |

<sup>1</sup> Multiple roller assemblies as required. <sup>2</sup> Limited to a single roller assembly. <sup>3</sup> Multiple egress doors available within one assembly, maximum of 8.



3-hour UL 10D, 20-minute UL 10B, "S" Label UL 1784, unlimited width.

# The McKeon FireFighter™ D200E Opening Protective with Egress.

**The ONLY fire-rated fabric curtain on the market with a 90-minute UL 10D rating and soft-surface egress door. “The First Responder” is truly a first – going beyond where others leave off!**



The means of egress in the D200E complies with the provisions of the ADA.

McKeon introduces a new and approved concept in egress doors. This soft-surface egress door can be pushed open with less than 30 pounds of force applied to the interior surface. Once opened a building occupant can easily pass through a minimum width of 32 inches. This swinging technology also allows the soft-surface egress door to return immediately to the closed position after egress.

Because the current model codes have included the elevator space with the traditional means of egress system, the FireFighter D200E incorporates a soft-surface pull handle for easy access into the elevator. After pulling the handle and passing through the door, the soft-surface assembly closes automatically, returning to its fire and life safety position.



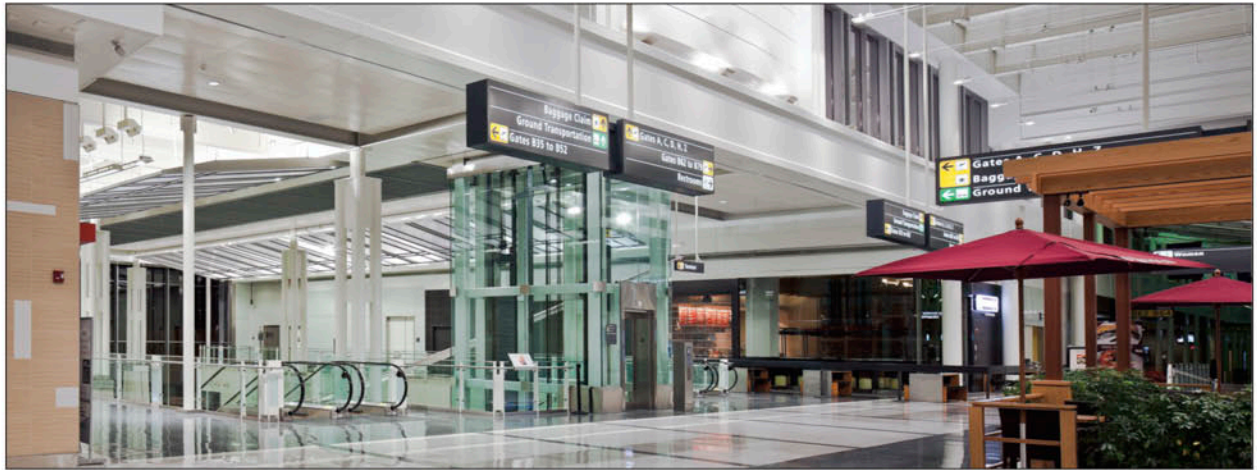
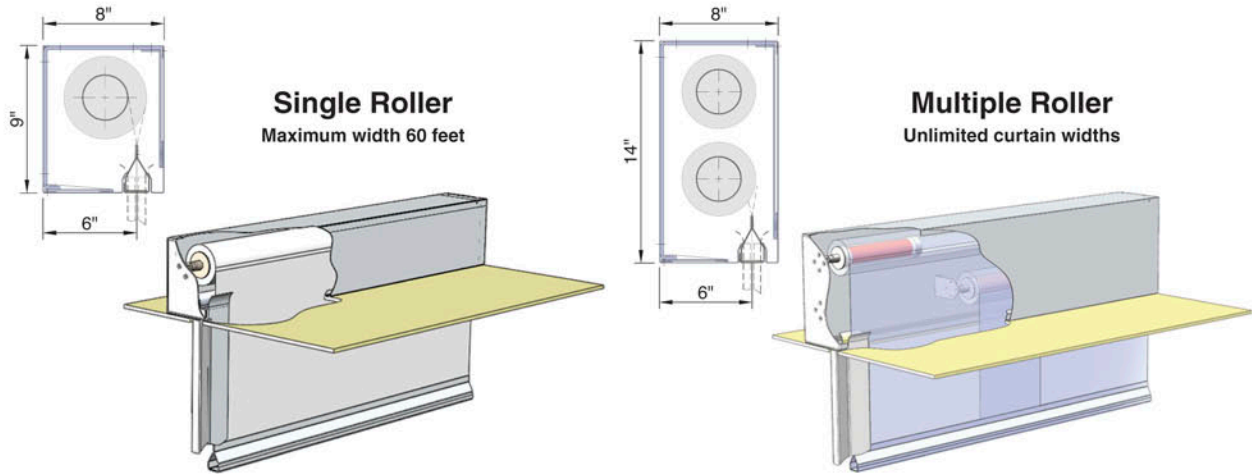
Once again, McKeon Door Company is the first to respond to a common problem in an uncommon way. It is no longer necessary to protect elevator openings individually with separate and expensive systems. The FireFighter D200E, shown below, is a single assembly with multiple egress doors. With a maximum width of 60 feet and up to 8 egress doors, almost any bank of elevators can be protected with a single assembly. Whether protecting one elevator or many, each model D200E is fixed in vertical high pressure side guides that are easily hidden by side mounting and disappears into narrow overhead slits that conceal the narrow bottom bar. No more unsightly magnet-friendly railings extending to large canister covers in the ceiling. This technology guarantees no blowout or movement problems that are a potential challenge with combustion during a fire. Because FireFighter will not blowout from vertical shaft air pressures that are common in multistory buildings, these assemblies are easily tested under normal building conditions.



This photograph depicts an application where a single FireFighter Model D200E can protect a bank of multiple elevators.

## Achieving unlimited widths.

FireFighter fire and smoke rated curtains are made of technologically advanced fire-resistant fabric. The assembly is concealed in a compact overhead housing and is virtually invisible when retracted. Operated by a remotely located control unit and fully synchronized with the building fire and life safety system, the FireFighter truly is the "First Responder." FireFighter uses the same self-closing Auto-Set® features as other McKeon doors. Upon activation the assembly gravity drops into place and is automatically reset after clearing of the fire alarm or smoke detection system. To span unlimited widths, single curtains can be arranged in the tested and approved overlapping design.



Dulles International Airport, Washington, DC

## Protection against the spread of fire and smoke.

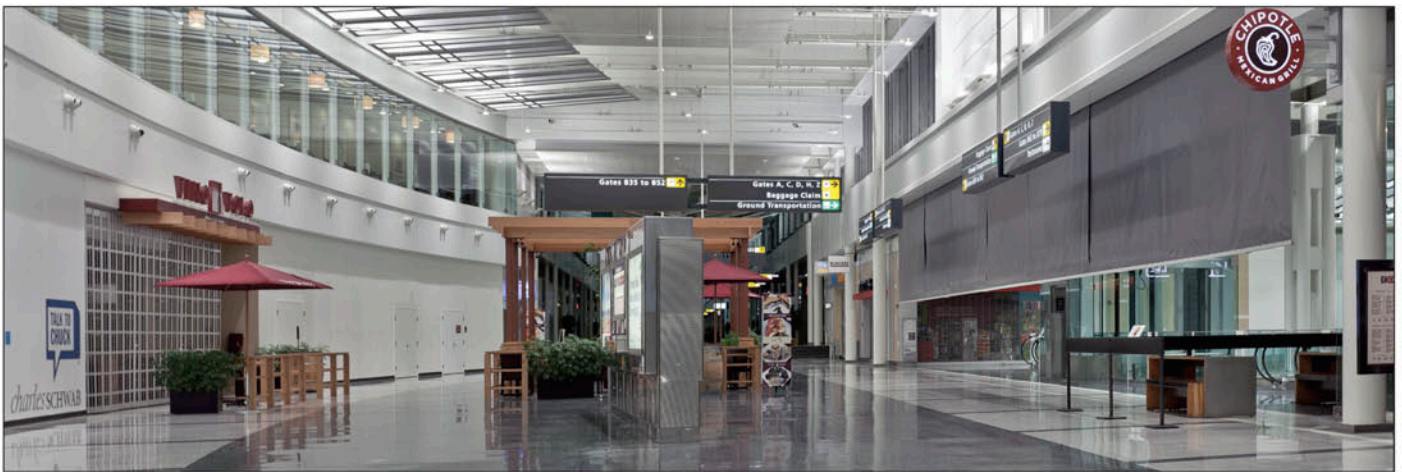
The International Building Code (IBC) requires draft curtains to be installed on the underside of the roof and to be constructed of sheet metal, lath and plaster, gypsum board or other approved materials that provide equivalent performance to resist the passage of smoke (IBC Section 910.3.5). The challenge then for the designer is that the approved materials mentioned above are typically installed as fixed items. Glass is often approved because it will stop smoke yet is less conspicuous than the other choices. The McKeon FireFighter D100 Draft Curtain is rated to stop both fire *and* smoke and will deploy *only* upon alarm or emergency condition leaving the space free of any fixed materials during normal conditions.



Barney's New York, Las Vegas, Nevada



Aria Resort & Casino, Las Vegas, Nevada



Dulles International Airport, Washington, DC



Creative Solutions • Innovative Designs • Proven Products

**McKeon Door Company** • 44 Sawgrass Drive, Bellport, NY 11713 USA • PH: 800-266-9392 • info@mckeondoors.com

© 2011 McKeon Rolling Steel Door Co., Inc.

Patent Pending