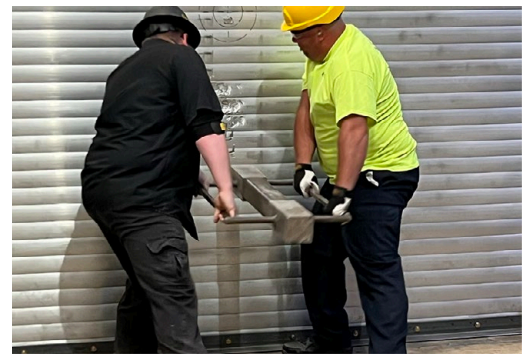


Blast, Ballistic and Security Door Systems



EntryShield™ Model FE6000

Forced Entry Resistant Overhead Coiling Door

The McKEON EntryShield Model FE6000 forced entry resistant door passed all the requirements of the ASTM F3038, Standard Test Method for Timed Evaluation of Forced-Entry-Resistant Systems.

- Laboratory tested, certified and listed for compliance with ASTM F3038 for 60 minutes
- Largest successfully tested overhead coiling door in the industry
- During an emergency the overhead coiling assembly can be motor-closed with a manual push-button, or closed remotely by an automatic closing actuating device

Product Features

Certifications

Independently tested, certified and listed by Intertek to ASTM F3038 for 60 minutes

Operation

Power motor operation and/or automatic-closing

Size

Up to 20'-3-1/2" in width and 18'-0" in height

Finishes

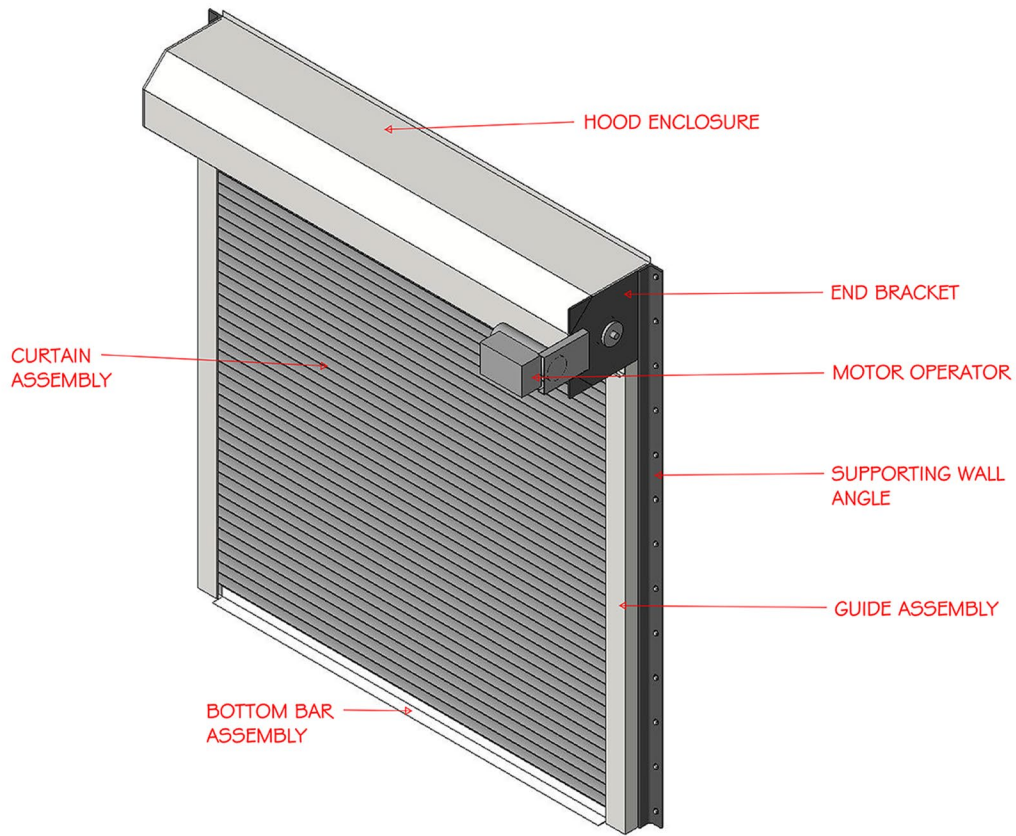
Natural metal

Powder Coat of any color as selected

This technology has patents pending.

FE6000

Blast, Ballistic and Security Door Systems



MODEL	OPEN/CLOSE	EGRESS	FUNCTION
FE6000	Motor Operation and/or Automatic Closing	N/A	Overhead Coiling Forced Entry Resistance

