

BLAST, BALLISTIC & SECURITY DOOR SYSTEMS

High Security Door Systems



BULLETSHIELD®
MODELS BT1000, HG3000, RF8000

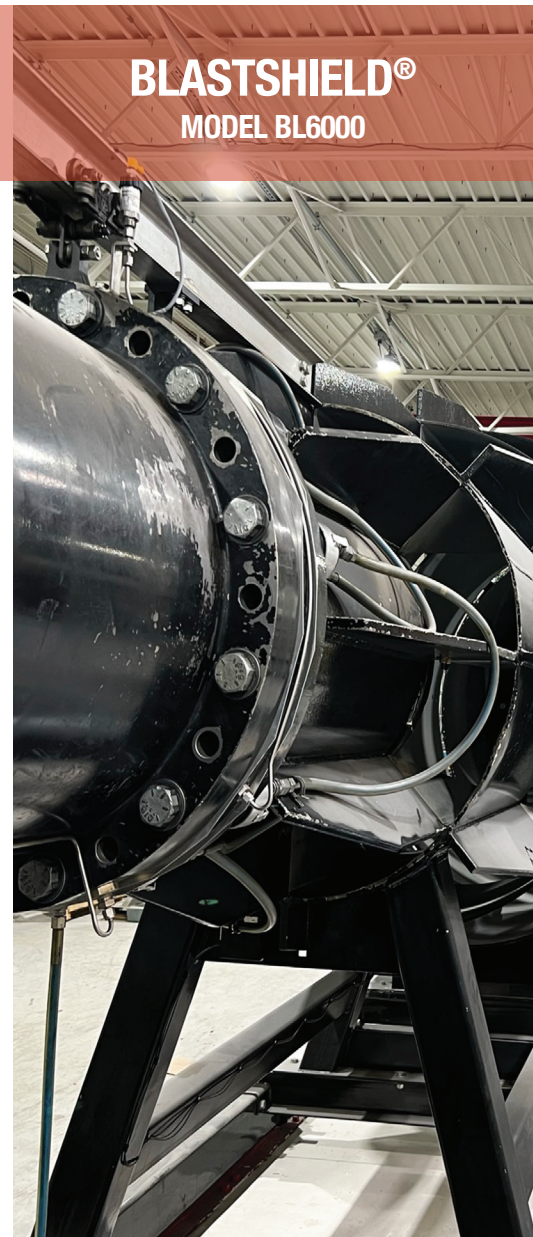


Intertek

ENTRYSHIELD®
MODEL FE6000



BLASTSHIELD®
MODEL BL6000



BULLETSHIELD® SERIES

BULLET-RESISTANT ROLLING DOOR

Tested, listed & labeled in accordance with UL 752 as bullet-resistant rolling door assemblies.

Model BT1000

Level 1 ballistic designation providing protection from all caliber handguns up to 9mm.

Model HG3000

UL-HG-C (Level 3) ballistic designation providing protection from large bore, large caliber handguns up to .44 magnum.

Model RF8000

UL-RF-H (Level 8) ballistic designation providing protection from high-powered rifles up to AK-47 and M14.

APPLICATIONS

- Gas Stations
- Transactions Spaces
- Retail/Convenience Stores
- Pharmacies

- Schools
- Banks
- Government Facilities

- Commercial & Residential
- Critical Infrastructure
- Military & Government Facilities

ENTRYSHIELD® MODEL FE6000

FORCED-ENTRY-RESISTANT ROLLING DOOR



The McKEON® EntryShield® Model FE6000 Forced-Entry-Resistant Door passed all the requirements of the ASTM F3038, Standard Test Method for Timed Evaluation of Forced-Entry-Resistant Systems:

- Laboratory tested, listed and labeled for compliance with ASTM F3038 for 60 minutes
- Largest successfully tested rolling door in the industry
- During an emergency the overhead coiling assembly can be motor-closed with a manual push-button, or closed remotely by an automatic closing actuating device

- Hospitality
- Commercial/ Retail
- Educational
- Government

Certifications:

UL 752, for ballistic designations

McKEON® Model	Ballistic Designation	UL 752 Edition
BT1000	Level 1	11th
HG3000	UL-HG-C (Level 3)	12th
RF8000	UL-RF-H (Level 8)	12th

Operation:

Motor Operated System

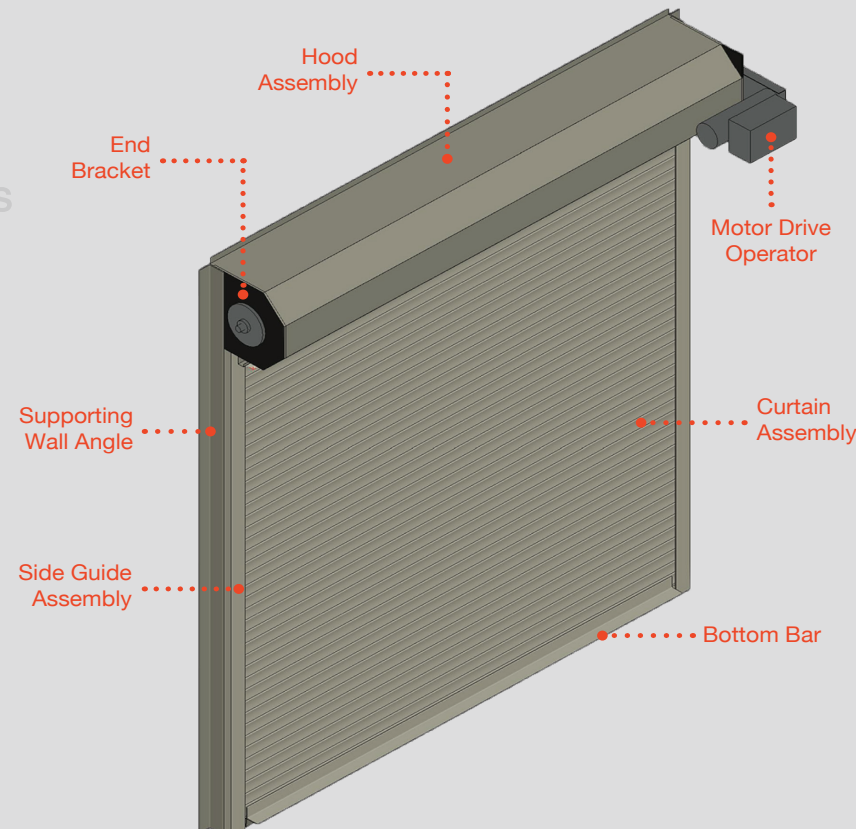
Size:

Widths to 30'-0" & heights to 18'-0"; for larger sizes & custom configurations consult factory

Finish:

- McKEON® Sterling Gray
- Powder Coat of any color as selected

PRODUCT FEATURES



Certifications:

Independently tested, listed and labeled by Intertek to ASTM F3038 for 60 minutes

Optional:

Thermal protection with an R Value up to 8.0

Operation:

Power motor operation and/or automatic-closing

Size:

Up to 30'-0" in width and 22'-0" in height

Finish:

- McKEON® Sterling Gray
- Powder Coat of any color as selected

BLASTSHIELD® MODEL BL6000



BLAST RESISTANT ROLLING DOOR

The McKEON® BlastShield® Model BL6000 blast resistant door passed all the requirements of the ASTM F2927-21 shock tube test and achieved extremely high results for the industry.

- ASTM Damage Level Category II
- Tested assembly permanent deformation – No greater than 1/2" and remained operable
- The witness chamber results recorded: "No debris was observed."
- The BlastShield® Model BL6000 is certified with a tested Peak Reflected Pressure of 12 psi (1,728 psf)

APPLICATIONS

- Educational Facilities
- Chemical & Processing Facilities
- Pharmaceutical Plants
- Automotive Assembly Plants
- Hazardous Storage Facilities
- Manufacturing Environments
- Data Centers
- DOD, DOE & DOJ Facilities
- Research Facilities

PRODUCT FEATURES

Certifications

Independently tested by Intertek
to ASTM F2927-21

Operation

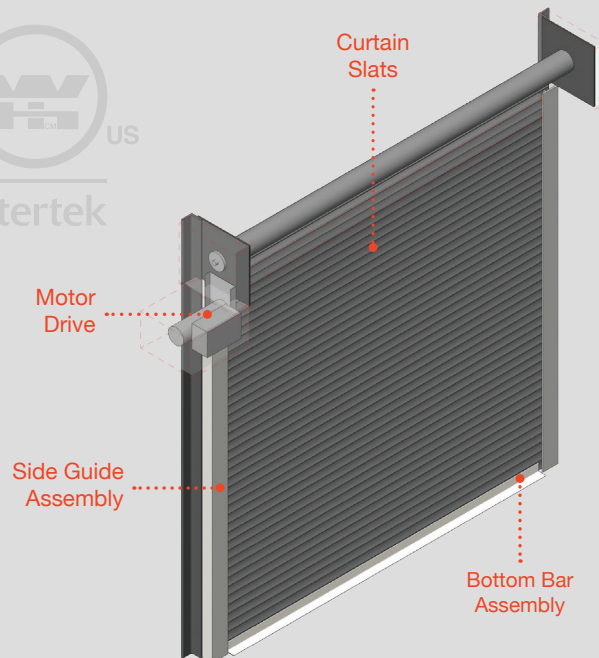
Power motor operation

Size:

Sizes based on desired Damage Level
Category, Peak Reflected Pressure and
project design requirements

Finish:

- Dusky Charcoal
- Powder Coat of any color as selected



WWW.MCKEONDOOR.COM | INFO@MCKEONDOOR.COM | 800.266.9392 | 44 SAWGRASS DRIVE, BELLPORT, NY 11713

©2026 McKEON® All Rights Reserved.

03